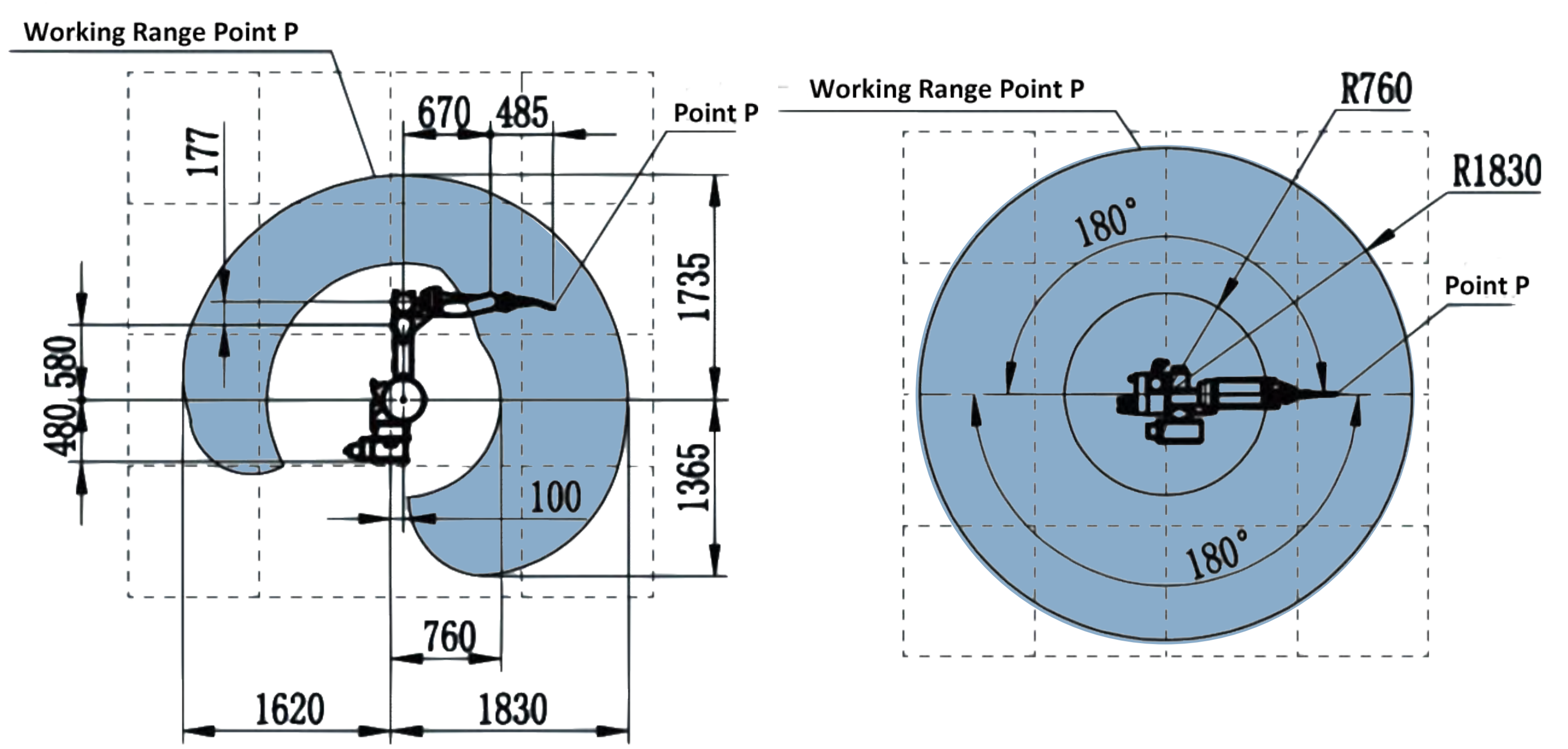


High Precision Welding Robot ZK1400-06

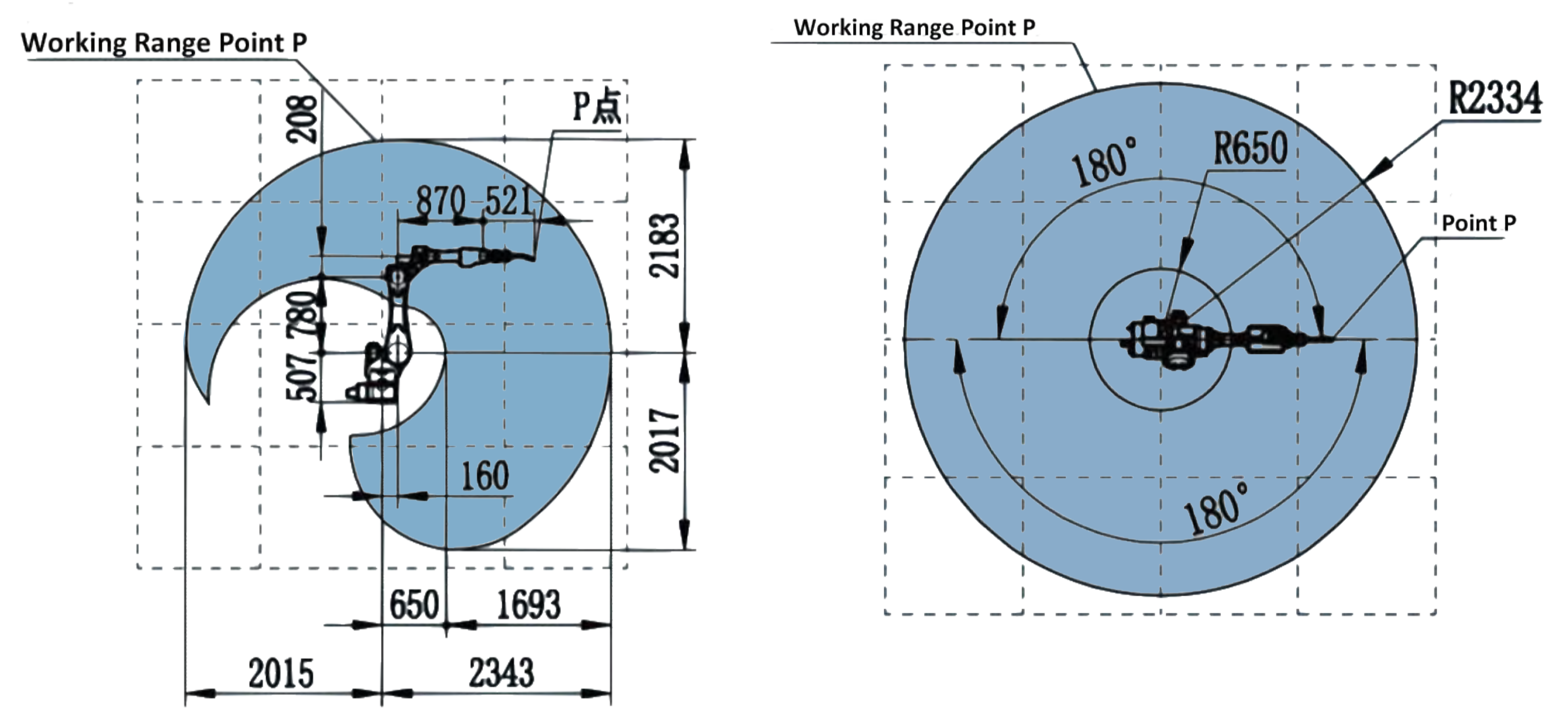


Welding Robot Specification

Robot Model	ZK1400-06
Application	Arc welding, Handling, Assembling
Mounting	Floor Mounted, Ceiling Mounted, Wall Mounted
Number of Axes	6-Axis
Payload	10KG
Max Reach	1400mm
Repeatability	0.07mm
Body Weight	185KG
Noise Level	<70dB
Input Power	3 Phase AC220V 50Hz
Power Capacity	6KVA(Robot) + 24KVA (Welding Power Source)
Operating Temp.	0°C - 45°C
Operating Humidity	20% - 80% RH
Operating Environment	Keep away from corrosive gases or liquids or explosive gases. Away from water, oil, dust. Away from seismic sources, magnetic field, high frequency signal sources.

Axis	Motion Range	Max Speed
J1	±180°	176°/s
J2	-70° ~ +110°	173°/s
J3	-120° ~ +70°	170°/s
J4	±150°	295°/s
J5	-110° ~ +105°	390°/s
J6	±320°	307°/s

High Precision Welding Robot ZK1900-06



Welding Robot Specification

Robot Model	ZK1900-06
Application	Arc welding, Handling, Assembling
Mounting	Floor Mounted, Ceiling Mounted, Wall Mounted
Number of Axes	6-Axis
Payload	6KG
Max Reach	1900mm
Repeatability	0.07mm
Body Weight	285KG
Noise Level	<70dB
Input Power	3 Phase AC220V 50Hz
Power Capacity	8KVA(Robot) + 24KVA (Welding Power Source)
Operating Temp.	0°C - 45°C
Operating Humidity	20% - 80% RH
Operating Environment	Keep away from corrosive gases or liquids or explosive gases. Away from water, oil, dust. Away from seismic sources, magnetic field, high frequency signal sources.

Axis	Motion Range	Max Speed
J1	±180°	153°/s
J2	-70° ~ +110°	111°/s
J3	-120° ~ +70°	148°/s
J4	±150°	200°/s
J5	-110° ~ +105°	390°/s
J6	±320°	307°/s



Drive Control All-in-One Controller

- Controller integrated motion controller, robot control system and 6-axis servo drive in one.
- Small size, high power density, high integration, greatly simplified electric design and improve the performance and reliability, also easy maintenance.

Digital Welding Power Source

- Capable for storing and calling 100 sets of user-defined parameters;
- Error code display for each faulty;
- Built-in welding expert database, provide intelligent welding parameters, easy adjustment.
- Digital interface equipped with an arc tracking function, can work with robot to complete the correction of the weld seam.
- With the start detection function of the weld seam.



Pulse Welding Machine AMIG-350/500RP

- Can realize carbon steel, stainless steel, aluminum & alloy, copper & alloy welding.
- Double pulse function to gain beautiful welding seam, robot equipped with air-cooled or water-cooled welding torch.



Low Spatter Welding Machine AMIG-LR350

- Can realize thin plate less than 3mm thickness welding of stainless steel, galvanized sheet, carbon steel.
- Welding spatter for carbon steel decreases 80%, heat input reduces 10% ~20%, small deformation.
- Widely used in bicycle, fitness equipment, automobile component, and furniture industries.